


Congratulations on purchasing one of the finest pool accessories available. Proper installation and care of this product will ensure a lifetime of use. Please read these instructions completely **-BEFORE-** you begin.

BEFORE GETTING STARTED:

Check to be sure all parts have arrived with 

2 - 2" s/s capped tubes c/w hinged mounting plate & cover, rubber spacer and landing boot as well as a stop.
All completely assembled ready for seats.

1 - 2" s/s capped tube complete as above ready for table.

2 - high impact (UV stabilized) plastic seats.

1 - high impact (UV stabilized) plastic table.

0 - cold beverage (just to see if you were paying attention)

6 - alloy 1 3/4" x 1/2" lag bolt anchors.

6 - stainless 2 1/4" x 5/16" hex head lag bolts.

6 - stainless 5/16" lock washers.

1 - these installation instructions.

You will need the following to complete the installation.

- . electric drill (preferably a hammer drill) & safety glasses
- . 1/2" dia. masonry drill bit
- . 3/16" dia. masonry drill bit
- . hammer
- . tape measure
- . marker
- . masking tape
- . electricians tape or similar
- . 1/2" wrench or socket set
- an individual qualified to use all of the above

- . Most importantly a cold beverage

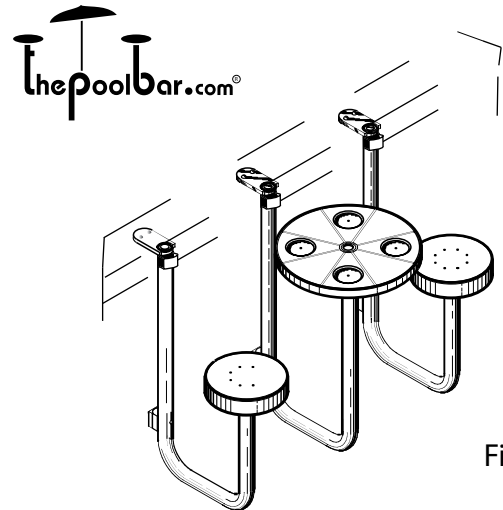


Fig.1

Seat assemblies

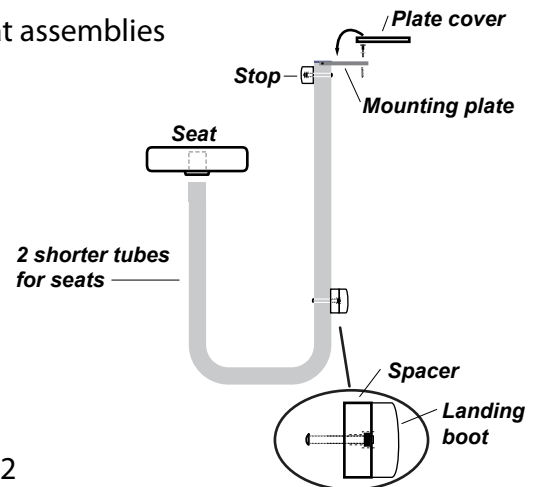


Fig.2

Table assembly

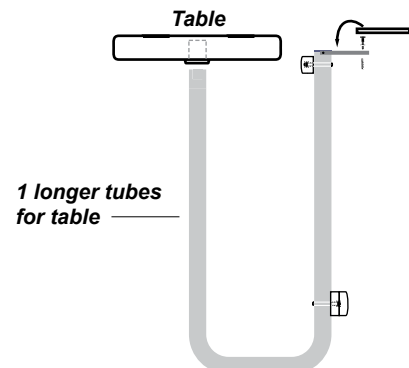




Fig.3

To receive the greatest enjoyment from: 

Choose a quiet, low traffic area in the shallows of your swimming pool. An area where you can spend some time relaxing.

There are two shorter tubes for the seats and one longer tube for the table. Remove the screws from the tubes before installing the seats and the table by using firm pressure and a twisting motion. Line up the hole in the seats and the table with the threaded holes in the tubes and fasten with the screws.

On the pool deck mark out as illustrated in Fig.4 where the mounting hinge plates will be bolted down. The centre point of the seats should be about 20" from the centre point of the table. The seat plates may need adjustment for curved pools to achieve this dimension.

Each of the three components of  is independent and may be adjusted so as to accommodate any pool shape.

Using the masking tape, mask off the pool deck where the hinged mounting plate will come in contact with the deck. This will make your markings easily visible.

Starting with where the centre piece (the table) will be located, measure 2 7/8" back from the outer-most edge of your pool (coping) and draw a line parallel with the edge of your pool. On that line make two marks that are 1 5/8" apart as in Fig.5 This is where you will drill your two holes for the table mounting plate.

Using a 3/16" diameter masonry drill bit, drill holes in the deck at the locations marked. Check holes carefully to ensure that they are 1 5/8" on centre as in Fig.6 and adjust if necessary. Enlarge the holes, drilling now with a 1/2" diameter masonry drill bit as follows.

WARNING: When using electric tools around water extreme caution must be taken. Follow all precautions including the use of safety glasses.

Fig.4

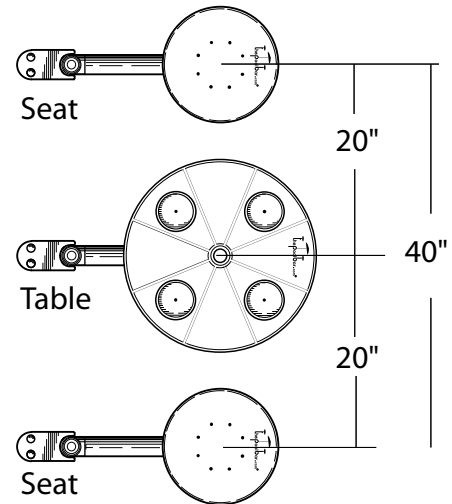
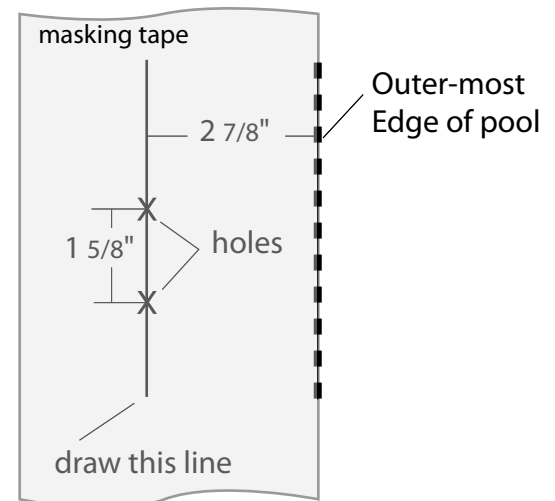
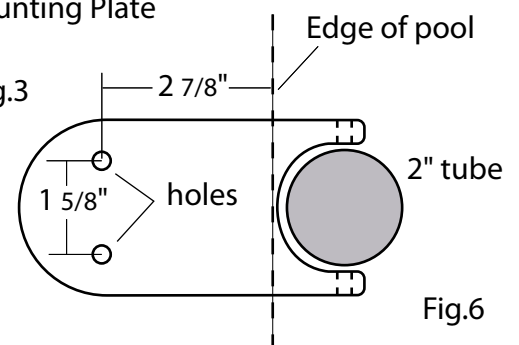


Fig.5



Mounting Plate

Fig.3



IMPORTANT: The depth of each hole should be 1 3/4" so that the lag anchors are not set too deep.

A convenient way to measure the depth is to measure 1 3/4" up the side of the drill bit (do not include the portion which tapers to a point, see Fig.7) and wrap electricians tape around the bit so 1 3/4" portion is below the tape.

When drilling, stop when the lower edge of the tape gets to the deck.

Check holes again to ensure that they are 1 5/8" on centre as in Fig.6 and that the depth is correct at 1 3/4" or else the anchors will protrude above the deck.

Remove the masking tape and clean the holes of debris by blowing or using the fan of the drill motor.

Tap the lag anchors lightly with a hammer into their holes until they are flush with the deck.

Remove plastic cover and lower the table assembly into the pool and bolt in place using the 5/16" lock washers and 5/16" x 2 1/4" hex head lag bolt as in Fig.8.

Snug tight using a 1/2" wrench. **DO NOT OVER TIGHTEN.**

Repeat drilling process for both seat assemblies so that results are as in Fig.4

Bolt seat assemblies in place.

Press plastic hinge plate covers back onto mounting plates.

Insert your favorite umbrella (the table has an insert in the center which may be removed for larger diameter umbrella) and admire your work. Fig.9

Change in to your swimsuit and enjoy that cold beverage.

CONGRATULATIONS!

"life just got a little better..."

Fig.7

1/2" dia.
masonry bit.

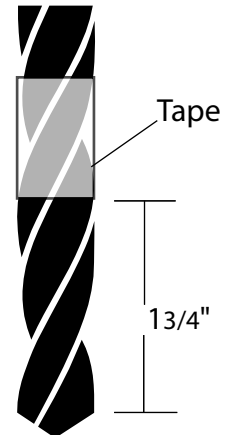


Fig.8

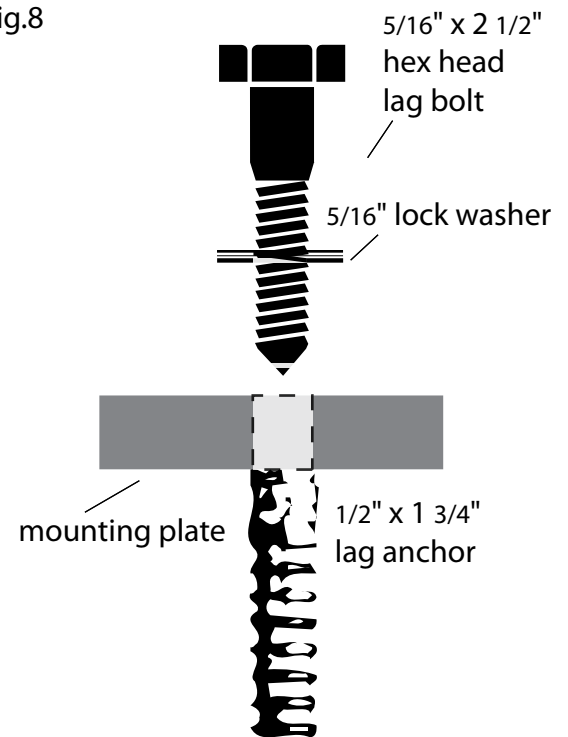
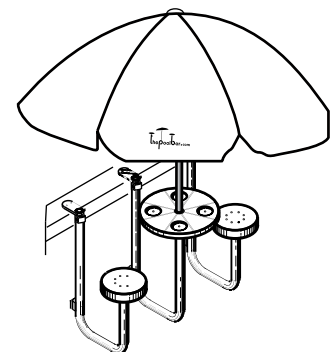


Fig.9



For ease of cleaning your pool, the poolbar.com[®] swings up and out of your pool as in Fig.10

Remove the umbrella, and your table will also stow-away as in Fig.11. The assemblies will rest on the built in stop. This very useful feature avoids entanglement of pool vacuum systems and makes vacuuming a snap.

To return to normal configuration:
BE SURE THE AREA BELOW AND IN FRONT IS CLEAR.
 Lower the table and seat assemblies in to position. They will slowly sink releasing air through the built in vents. Replace the umbrella.

"life just got a little better..."

Clean all components with mild soap or detergent using a soft cloth and then rinse.

Be sure to place the poolbar.com[®] in the stow-away position as in Figure 11 when using an entry device such as a board or slide.

It is easy to become dehydrated when outside. A good rule of thumb is to drink eight ounces of water every 30 minutes.

Proper conduct and careful supervision should be exercised within the pool area and we therefore cannot accept responsibility for the occurrence of any form of accident or injury. Please act responsibly.



is the registered trademark of The Artistcraft Group Inc. with patents US D468,116 S & 99071

For the latest updates and for more information, please visit us at:

www.thepoolbar.com

Fig.10

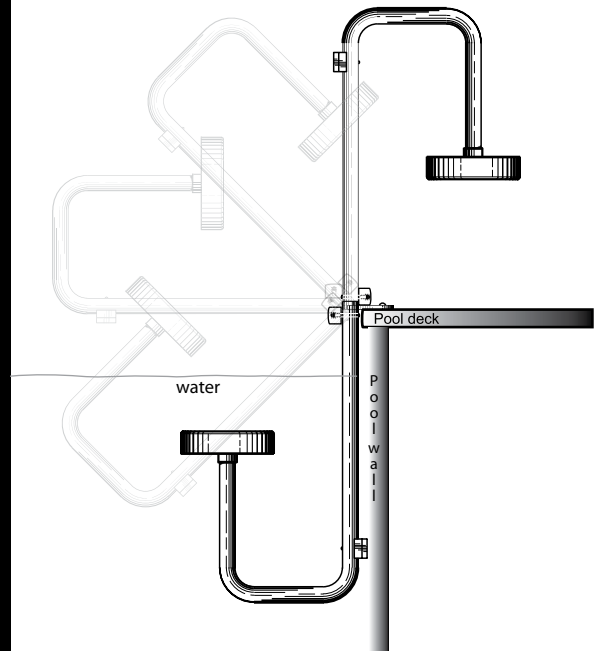


Fig.11

Stow-away position

